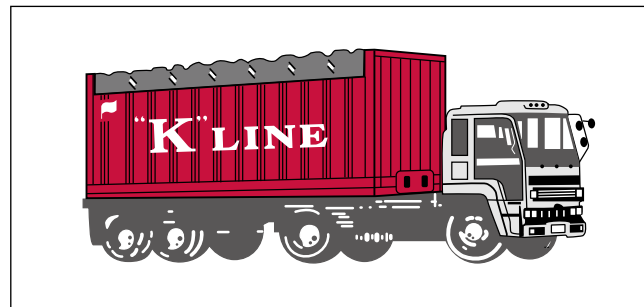
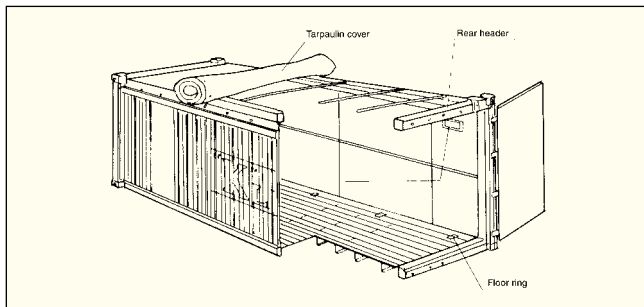


# 20' Open Top Containers



Height	Material	Tare Weight (kg/lbs)	Max* Cargo Cap. (kg/lbs)	Door Opening		Interior Dimensions			Interior Cube (m <sup>3</sup> /cft)
				Width (mm/ft)	Height (mm/ft)	Length (mm/ft)	Width (mm/ft)	Height (mm/ft)	
8'– 6"	Steel	2,330	28,150	2,340	2,280	5,902	2,350	2,348	32.2
		5,137	62,059	7' 8.5"	7' 6"	19' 4"	7' 9"	7' 9"	

Remarks \* : Subject to road and rail weight limitations.  
 : Above are typical figures for this type of containers.